

# OPUS<sup>®</sup>

THE MULTI-AWARD WINNING  
INFLATABLE FOLDING CAMPER



[opuscamper.co.uk](http://opuscamper.co.uk)





# YOUR ADVENTURE STARTS HERE!

**OPUS® is a stylish and innovative multi-award winning inflatable folding camper.**

It is compact and easy to tow, while also being spacious and superbly equipped. It is rugged and versatile, while also being comfortable and fun.



## SET-UP IN MINUTES

**The integrated pump automatically inflates the Air OPUS® tent in under two minutes!**

With OPUS® patented Air beam technology set-up struggles are a thing of the past. A simple 4 step inflation process means that you will be set-up in a matter of minutes giving you more time to sit back and enjoy your adventure.



**Air beam technology**  
**2 year guarantee**



**Engage the corner steady supports**

**1**



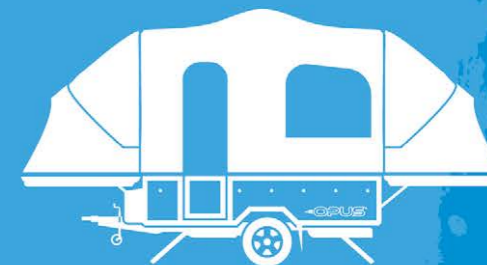
**Unclip the OPUS® roof lids and unfold**

**2**



**Press the button to start tent inflation**

**3**



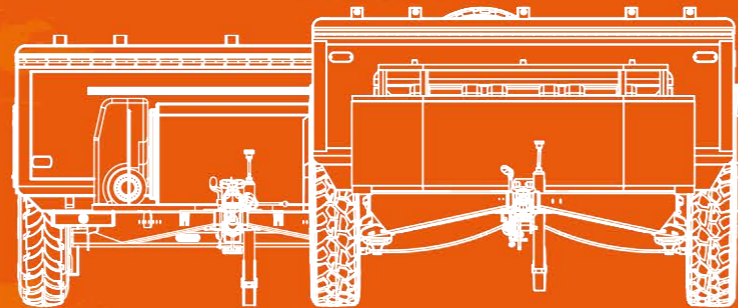
**Tent inflation is now complete!**

**4**



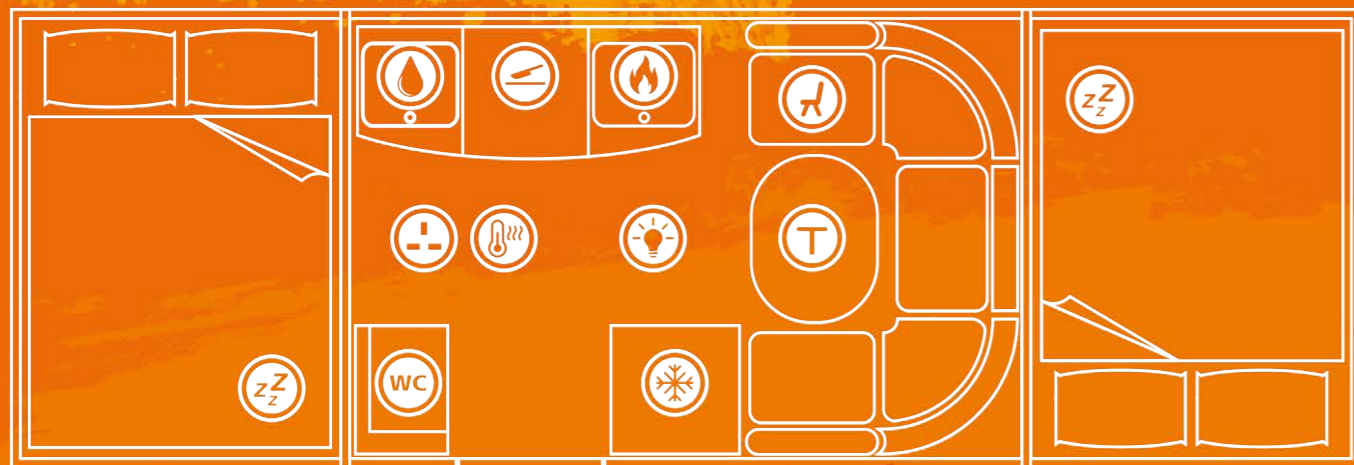


**STYLE.  
LUXURY.  
COMFORT.**



**The OPUS® range has been designed for use in all seasons, come rain or shine you'll have a spacious and comfortable base to return to after your adventures.**

Don't let its compact stature fool you, the OPUS® is filled with clever features that make your adventures that little bit more special!



**Strong yet lightweight aluminium frame**

Strength and rigidity whilst saving weight

**Lightweight canvas tent**

With panoramic windows and 2.5 metres of headroom

**Load carrying roof for all occasions**

Bring anything from bikes & kayaks to the kitchen sink!

**Braked trailer with 13 pin electrics**

Charge you leisure battery whilst you tow with ease

**OUTSIDE**

**INSIDE**

- Fixed double beds**  
With inner privacy tents
- Leatherette club lounge**  
Additional double bed
- Double burner gas hob**  
Piezo ignition + glass lid
- Stainless steel sink**  
Glass lid
- 3 way fridge\***  
Cabinet mounted
- Work surface**  
Drawer unit + storage
- Table**  
Demountable
- Portable toilet\***  
/Storage unit
- Heater**  
Mains powered
- Plug sockets**  
3 pin, 12v & USB\* power
- LED lighting\***  
12v powered & dimmable

**With over 50 customisable options creating your unique OPUS® has never been easier!**

+ Optional extras







SPACE  
SPACE  
SPACE  
SPACE  
SPACE

**Space to sleep, space to store or a quiet space in the shade the OPUS® was crafted with space in mind.**

Both the All-Road and Off-Road OPUS® have flexible options to add additional living and storage space;

**Air Awning\***

Doubles the living & sleeping space of the OPUS®

**Air Sun Canopy**

Offering cover from sun and rain

**Air Wind Break Set**

Expand your outdoor space with panoramic views

**Side skirts**

Providing a huge amount of exterior storage

\* Included as part of the All-Road Full Monty & Off-Road Extreme packages

Whether adventuring solo, with family, friends or all of the above OPUS® can be configured to sleep up to 10 happy campers.

The OPUS® Camper itself will sleep 6, 4 in the 2 fixed double beds as well as 2 in the converted club lounge. The addition of the optional Air Awning will allow you to sleep up to 10.

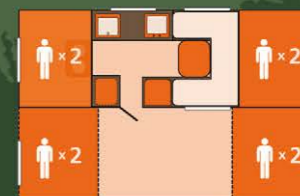
**SLEEP UP TO 10 CAMPERS**



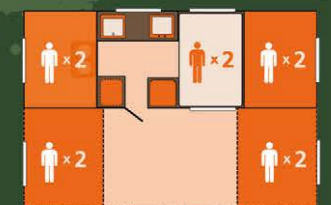
**4 berth**  
2 Fixed double beds



**6 berth**  
2 Fixed double beds + Converted lounge



**8 berth**  
2 Fixed double beds + 2 awning bed pods



**10 berth**  
2 fixed double beds + Converted lounge + 2 awning bed pods





# SPECIFICATION

OPUS<sup>®</sup>  
ALL-ROAD

## Dimensions

Overall Length (closed) inc.drawbar	430cm
Overall Width	201cm
Internal Length (main body section)	283cm
Internal Width (main body section)	188cm
Towing Height	120cm
Wheels	185/70 R13
Overall Length (erected)	580cm
Overall Height (erected)	275cm
Interior Height (max)	244cm
Bed Size 1	190 x 140cm
Bed Size 2	190 x 140cm
Full Awning Width (optional)	600cm
Full Awning Depth (optional)	240cm

## Weights

MIRO (mass in running order)	800kg
Max Tow Ball Mass (Nose Weight)	75kg

## Colours

Graphite Grey O/G18	
Sunset Orange O/O20	
Sea Salt Blue O/B16	
Olive Green O/OG19	

## Chassis configuration

MTPLM  
900 kg to 1500 kg  
with user payload of  
100 kg to 700 kg  
User configured in  
50kg increments



# FIND OUT MORE

[opuscamper.co.uk/all-road](https://opuscamper.co.uk/all-road)



The standard Air OPUS<sup>®</sup>

# INCLUDES

- Standard body colour
- Steel wheels
- Roof cover
- Gas locker
- 13 pin hook up
- Built in heater (230v)
- 12v & 230v sockets
- Built in electric pump for inflation
- 12v submersible water pump
- Hand pump
- Club lounge
- 2 x double mattresses
- Inner bed tents
- Additional bed (lounge)
- Kitchen area
- Work surfaces
- 2 Burner gas hob
- Stainless steel sink
- Storage cupboards
- Table



# SPECIFICATION

OPUS<sup>®</sup>  
OFF-ROAD


## Dimensions

Overall Length (closed) inc.drawbar	540cm
Overall Width	215cm
Internal Length (main body section)	283cm
Internal Width (main body section)	188cm
Towing Height	140cm
Wheels	215/65/ R16
Overall Length (erected)	650cm
Overall Height (erected)	275cm
Interior Height (max)	244cm
Bed Size 1	190 x 140cm
Bed Size 2	190 x 140cm
Full Awning Width (optional)	600cm
Full Awning Depth (optional)	240cm

## Weights

MIRO (mass in running order)	1100kg
Max Tow Ball Mass (Nose Weight)	120kg

## Colours

Midnight black   
O/B19

## Chassis configuration

MTPLM  
1250 kg to 1750 kg  
with user payload of  
150 kg to 650 kg  
User configured in  
50kg increments



# FIND OUT MORE

[opuscamper.co.uk/off-road](http://opuscamper.co.uk/off-road)

The standard Off-Road Air OPUS<sup>®</sup>

# INCLUDES

- Off-Road alloy wheels
- Roof Cover
- Gas locker (storage for 2 bottles)
- Battery box with 13 pin hook up
- Built in heater (230v)
- Internal 12v & 230v sockets
- External storage locker with 12v power
- External gas outlet & water inlet
- Jerry can & water storage positions
- Built in electric pump for inflation
- Integrated spare wheel carrier±
- Protective stone chip guard
- 12v submersible water pump
- Club lounge
- 2 x double mattresses
- Hand Pump
- Inner bed tents
- Additional bed (Seating area)
- Kitchen area & work surfaces
- Internal 2 burner gas hob
- Stainless steel sink
- Storage cupboards
- Table
- External 230v socket

\* Spare Off-Road alloy wheel sold separately





# OPUS<sup>®</sup>

Find your local OPUS<sup>®</sup> dealer online at  
[www.opuscamper.co.uk](http://www.opuscamper.co.uk)

More questions? Call us on  
**01473 601200**

Head office  
**Purple Line Ltd.**  
**Peninsula Business Centre**  
**Wherstead**  
**Suffolk**  
**IP9 2BB, UK**



**PCT Patent Pending GB/2017/050391**

2022 Purple Line Ltd.  
Photographs & diagrams for illustration purposes only.  
Actual product may differ slightly.  
Pricing correct at time of print.  
All weights & dimensions are approximate.  
Purple Line Ltd. reserve the right to change product  
specification without prior notice. E & OE.

OPUS2022\_EN1